



Marine

+ Water Pump

DC water pumps

AC Water Pump

RO Pumps

+ Bilge Pumps

+ Air Conditioner Pump

+ Submersible and Inline Pump

+ Float Switches

+ Switch Panels

+ Electric Field Bilge Switch

+ Washdown Pump Kit

+ Livewell/Baitwell Pumps



SEAFLO 41 Series Diaphragm Pumps 12V/24V 3-17LPM 17-60PSI

12V/24V 3.0-17.0LPM 17-60PSI

The 41-Series pump provides high volume water flow with reduced pump cycling, thanks to the quad-chamber diaphragm and internal bypass. These models are designed to run on water systems with no accumulator tank necessary, and up to five outlets. It is also suited for use with a holding tank water system, as may be found in a boat, RV or remote cabin. It provides up to 4.5 gallons per minute, suitable in a system of up to five fixtures. The 41-Series pumps are self-priming, and can run dry without damage, performance reliable and low current. This automatic demand water system pump has a built-in pressure switch, which automatically starts and stops the pump when faucet is opened and closed. They're easy to install service and winterize with quick snap-in port fittings.

Up

Contact Us

Product Classification

+ Macerator Pumps

+ gear pump

+ Self-priming Bilge Pumps

+ Hand Pumps

+ Blowers

+ Battery Switches

+ Portable Toilet

+ Marine Toilet

+ Fuel Cans

+ Thru-Hulls & Deck Filler Caps

+ Hatches & Porthole

+ Door Holder

+ Accessories

+ Bottled Water System

Recommend Product

Common Problem

FEATURES & BENEFITS

Adjustable pressure switch from 17-60 psi for OEM when needed.

Motor sound is no louder than your air conditioning.

Quick attach connections with 360° multiple fittings allow ease connection to any outlet.



By-pass reduces noise, strain on the pipes, and wear on the pressure switch.

Semi-rigid rubber feet for noise reduction from vibration.

Up

MORE FEATURES & BENEFITS

- Can supply up to 4 fixtures
- Quick connect fitting
- Self priming
- Run dry safe
- 16AWG,4.5 " long Leads
- Can be use for Fresh&Salt Water
- 2 Year Warranty
- Meets or exceeds RoHS, SGS, and ISO standards



TYPICAL APPLICATIONS

Marine,RV,Agricultural Spraying,General Industrial,Filtration,Beverage Processing,Solar Water System.

PUMP	
Type	4 Chamber positive displacement diaphragm pump, self priming, capable of being run dry
Control Type	Pressure switch & By pass control
Max Recommended Temperature	60° C (140° F)
Priming Capabilities	6 feet (1.8 m) suction lift
Re-start Pressure	Shut-off Pressure 40 PSI : 30 PSI ± 5 PSI(± 0.3 bar)
Inlet/Outlet Ports	3/4" QUICK ATTACH
Weight	5.4 lbs (2.4 kg)

Up

MOTOR	
Leads	16 AWG, 11" (28 cm) long with 2-Pin connector / Leads
Duty Cycle	Intermittent
Max.Amp Draw	15.0 A
Fuse	22.5 A

STANDARD PUMP CONFIGURATIONS

Product Classification

[Home](#) | [About Us](#) | [News Center](#) | [Technology and Service](#) | [Quality and R & D](#) | [Contact Us](#)

SFDP1-045-040-41	12V	4.5 / 17.0	switch & By pass	12.13	40 / 2.8	EPDM	Santoprene	QUICK ATTACH	2-Pin/Leads
SFDP2-045-040-41	24V	4.5 / 17.0	switch & By pass	6.07	40 / 2.8	EPDM	Santoprene	QUICK ATTACH	2-Pin/Leads
SFDPA1-045-040-41	115V	4.5 / 17.0	Demand & By pass	1.54	40 / 2.8	EPDM	Santoprene	QUICK ATTACH	Leads/Plug
SFDPA2-045-040-41	220V	4.5 / 17.0	Demand & By pass	0.77	40 / 2.8	EPDM	Santoprene	QUICK ATTACH	Leads/Plug

Consult factory for other available models.

PERFORMANCE

4.5GPM

PRESSURE		FLOW		CURRENT
PSI	BAR	GPM	LPM	AMPS
0	0	4.33	16.40	5.9
20	1.38	3.49	13.20	9.93
25	1.73	3.43	13.00	10.48
30	2.07	2.59	9.80	10.99
35	2.42	2.06	7.80	11.49
40	2.76	0	0	12.13



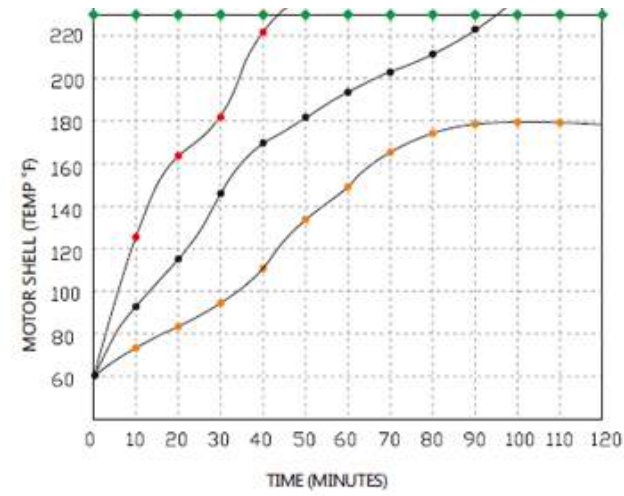
Up

[View other parameter tables / graphs, Please click here](#)

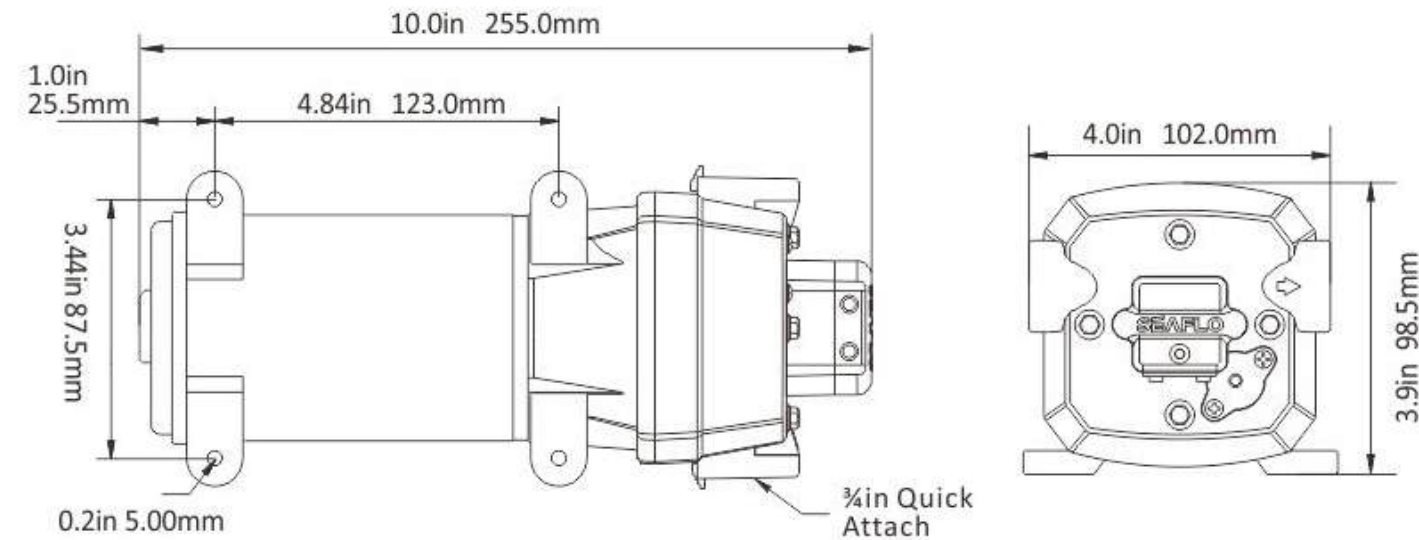
HEAT RISE

Product Classification

[Home](#) | [About Us](#) | [News Center](#) | [Technology and Service](#) | [Quality and R & D](#) | [Contact Us](#)



DIMENSIONS



Up

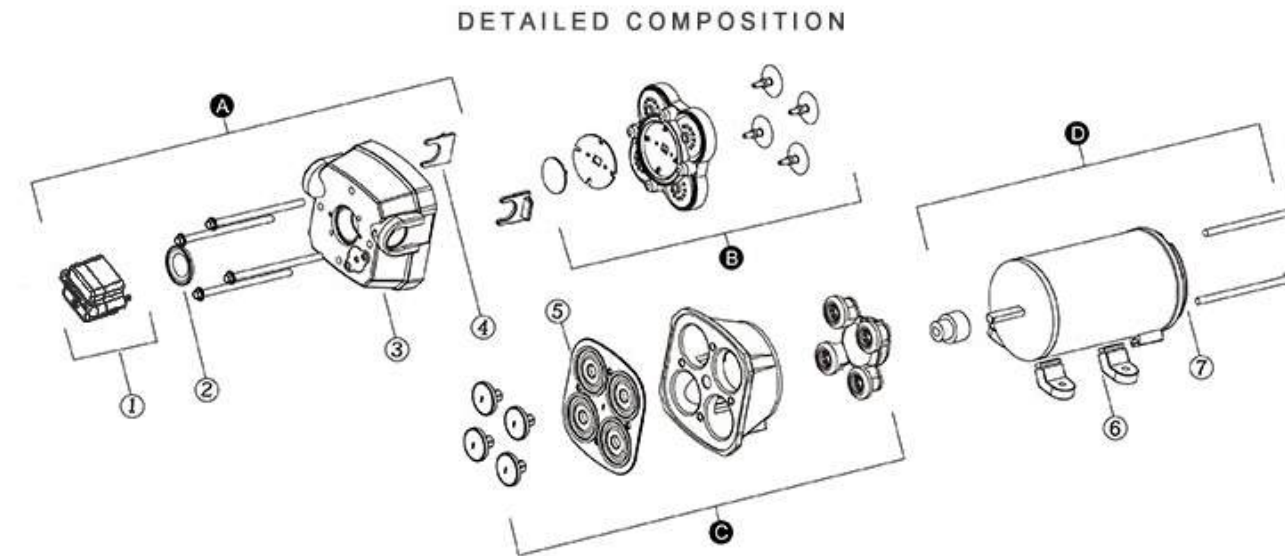
PRODUCT DETAILS



Up

Product Classification

Home | About Us | News Center | Technology and Service | Quality and R & D | Contact Us



Up

Key	Description	Quantity
A	Pump Head Assembly	1
B	Valve Assembly	1
C	Diaphragm Assembly	1
D	Motor Assembly	1
1	Pressure switch	1
2	Diaphragm of Pressure Switch	1
3	Pump Head	1
4	Quick Attach Clip	2